

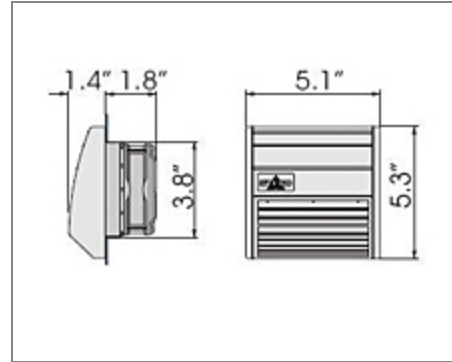

Stego, Inc.

95 Chastain Road NW

Suite 200

Kennesaw, GA 30144, USA

Toll-Free: (888) 783-4611 • **Phone:** (770) 984-0858

Email: info@stegousa.com • **Website:** www.stego-usa.com
Part # 01800.0-06, Standard Filter Fan

[Specifications](#) | [Technical Data](#)
Specifications

Free Blowing Air Flow	12 cfm (21 m ³ /h)
Voltage	48 VDC
Environmental Ratings¹	UL Type 1 / IP55
Agency Approvals	UL

Technical Data

Version	Standard
Air Flow with Exit Filter	9 cfm (16 m ³ /h)
Average Noise Level at 3 ft (DIN EN ISO 4871)	31 dB (A)
Grill Size	5 x 5 inch
Enclosure Cut-Out	3.8 x 3.8 inches (97 x 97 + 0.4 mm)
Mounting Depth	1.8 inches (45 mm)
Weight	1.2 lb (0.54 kg)

Filter Fan Housing	Plastic, UL 94V-0, light gray
Filter Fan Hood	Plastic, UL 94V-0, light gray, weather proof and UV light resistant according to UL 746C (f1)
Mounting Frame	With double sided industrial adhesive band for affixing to the outside of enclosure. Certain operating circumstances may make the additional use of screws necessary.
Filter Mat	Medium grade 350 g/m ² , filtering degree 94 % for particle Ø < 10 µm, G4 (EN 779)
Filter Material	Synthetic fiber with progressive construction, temperature resistant to 212 °F, self-extinguishing class F1. Moisture resistant to 100% RH. Can be cleaned by washing or vacuuming for reuse. Replacement filter mats available on request.
Axial Fan, Ball Bearing	Aluminum frame, plastic impeller UL 94V-0, Operational life min. 50,000 h at 77 °F (RH 65 %). Operating temperature -49 °F to 158 °F 2 lead wires 4" long with pressure clamps, type AWG 14 max.
Connection	2 wires w/ cage clamps, AWG 14 (2.5 mm ²), length 4" (100 mm)
Operating Temperature	14 to 158 °F (-10 to 70 °C)
Storage Temperature	-40 to 158 °F (-40 to 70 °C)
Protection Type²	IP55 (according to VDE)
Protection Class	I (grounded)

¹ Using fine filter mat type F5 increases the protection type to UL Type 12 but reduces the air volume

² Using fine filter mat type F5 increases the protection type to UL Type 12 but reduces the air volume